

HSP1P series for zones 1/2 and 21/22

Sockets and plugs for explosion hazard zones




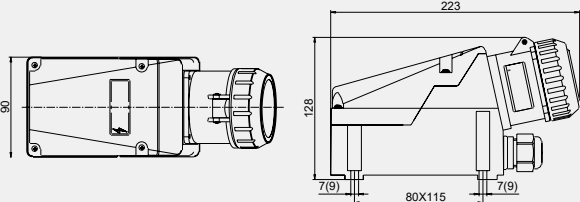


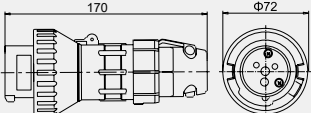

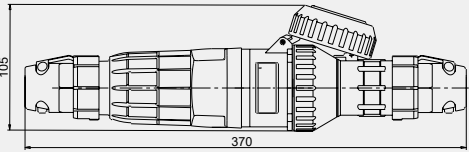








Design features

- ▶ **accidental connection protection** – different housing colors depending on operating voltage for quick and safe identification
- ▶ **integrated internal earthing** – ensuring continuity of electric shock protection throughout the plug-socket system
- ▶ **socket lockable with a padlock** – additional protection against unauthorized access or accidental use
- ▶ **housing made of glass fiber reinforced BMC resin** – high mechanical strength, antistatic and heat resistant


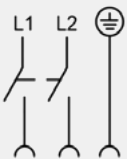
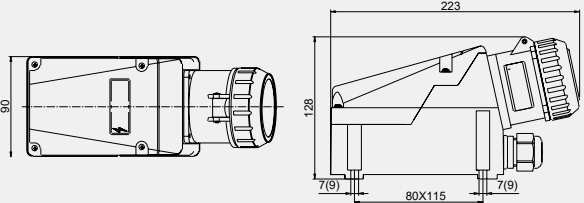

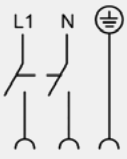
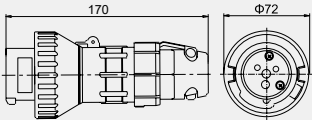

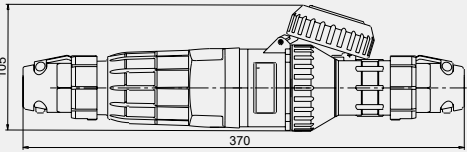













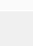
Parameters

Designed for Ex zones	Gases: 1 and 2 Dust: 21 and 22		
ATEX marking	⊕ II 2 G D Ex db eb IIC T5/T4 Gb ⊕ II 2 G D Ex tb IIIC T80°C Db		
Marking according to IECEx	Ex db eb IIC T5/T4 Gb Ex tb IIIC T80°C Db		
Permissible ambient temperature	-45°C ~ +40°C / +50°C / +60°C (max. temp. – see individual datasheets)		
Degree of protection	IP66		
Rated current	16A / 32A / 63A / 125A (others on request)		
Rated voltage	for 16A: <ul style="list-style-type: none"> ▶ 20~25V AC/DC ▶ 36~50V AC/DC ▶ 110~130V AC ▶ 50~250V DC ▶ 200~250V AC ▶ 380~415V AC ▶ 480~500V AC ▶ 600~690V AC 	for 32A: <ul style="list-style-type: none"> ▶ 50~250V DC ▶ 200~250V AC ▶ 380~415V AC ▶ 480~500V AC ▶ 600~690V AC 	for 63A / 125A: <ul style="list-style-type: none"> ▶ 200~250V AC ▶ 380~415V AC ▶ 480~500V AC ▶ 600~690V AC
Number of poles	2P / 3P / 4P / 5P		
Padlock lock	Yes		
Switching method	<ul style="list-style-type: none"> ▶ 16A / 32A: switching by rotating the plug in the socket ▶ 63A / 125A: rotary switch on the socket housing 		


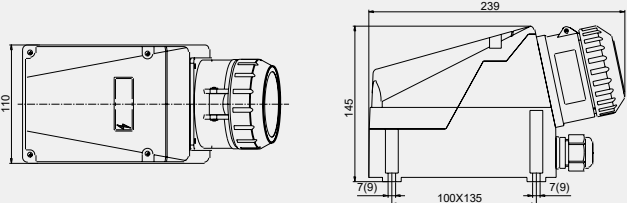

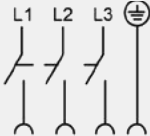
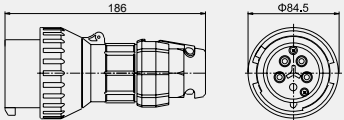

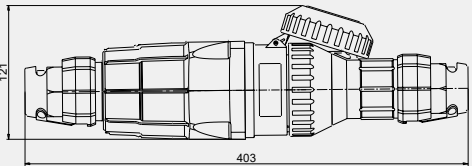








16A, 2P sockets and plugs

Photo	Schematic electrical	Dimensions	Order number
Current 16A, 2P			
			HSP1P 16 □ 2P W-SCT
			HSP1P 16 □ 2P PLG
			HSP1P 16 □ 2P C-SCT
Parameters			
Designed for Ex zones	Gases: 1 and 2 Dust: 21 and 22		
ATEX marking	⊕ II 2 G D Ex db eb IIC T5 Gb ⊕ II 2 G D Ex tb IIIC T80°C Db		
Marking according to IECEx	Ex db eb IIC T5 Gb Ex tb IIIC T80°C Db		
Permissible ambient temperature	from -45°C to +60°C		
Degree of protection	IP66		
Rated current	16A		
Rated voltage	<ul style="list-style-type: none"> ▶ 20~25V AC   code: AC25 ▶ 20~25V DC   code: DC25 ▶ 36~50V AC   code: AC50 ▶ 36~50V DC   code: DC50 		
Number of poles	2P		
Lockable with a padlock	Yes		
Cable entry	wall socket: M20 cable gland (cable dia.: 7-16mm) + M20 plugged cable entry coupler socket: 5-15mm plug: 5-15mm		
Switch (socket)	Yes, ON/OFF switching by rotating the plug in the socket		


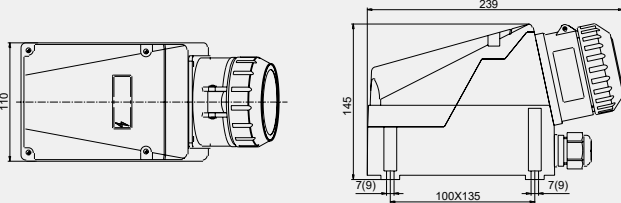

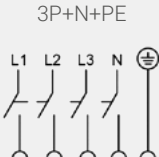
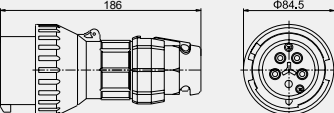

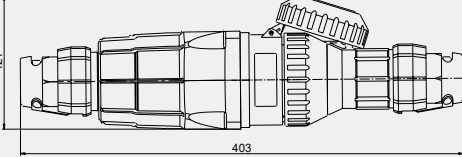








16A, 3P sockets and plugs

Photo	Schematic electrical	Dimensions	Order number
Current 16A, 3P			
	<p>2P+PE</p> 		HSP1P 16 □ 3P W-SCT
	<p>or</p> <p>1P+N-PE</p> 		HSP1P 16 □ 3P PLG
			HSP1P 16 □ 3P C-SCT
Parameters			
Designed for Ex zones	Gases: 1 and 2 Dust: 21 and 22		
ATEX marking	⊕ II 2 G D Ex db eb IIC T5 Gb ⊕ II 2 G D Ex tb IIIC T80°C Db		
Marking according to IECEx	Ex db eb IIC T5 Gb Ex tb IIIC T80°C Db		
Permissible ambient temperature	from -45°C to +60°C		
Degree of protection	IP66		
Rated current	16A		
Rated voltage	<ul style="list-style-type: none"> ▶ 20~25V AC h12   code: AC25 ▶ 20~25V DC h10   code: DC25 ▶ 36~50V AC h12   code: AC50 ▶ 36~50V DC h10   code: DC50 ▶ 110~130V AC h4   code: AC130 ▶ 200~250V AC h6   code: AC250 ▶ 50~250V DC h3   code: DC250 		
Number of poles	3P (2P+PE or 1P+N+PE)		
Lockable with a padlock	Yes		
Cable entry	wall socket: M25 cable gland (cable dia.: 12,5-17mm) + M25 plugged cable entry coupler socket: 5-15mm plug: 5-15mm		
Switch (socket)	Yes, ON/OFF switching by rotating the plug in the socket		

Sockets and plugs 16A, 4P

Photo	Schematic electrical	Dimensions	Order number
Current 16A, 4P			
			HSP1P 16 □ 4P W-SCT
	3P+PE 		HSP1P 16 □ 4P PLG
			HSP1P 16 □ 4P C-SCT
Parameters			
Designed for Ex zones	Gases: 1 and 2 Dust: 21 and 22		
ATEX marking	⊕ II 2 G D Ex db eb IIC T5 Gb ⊕ II 2 G D Ex tb IIIC T80°C Db		
Marking according to IECEx	Ex db eb IIC T5 Gb Ex tb IIIC T80°C Db		
Permissible ambient temperature	from -45°C to +60°C		
Degree of protection	IP66		
Rated current	16A		
Rated voltage	<ul style="list-style-type: none"> ▶ 200~250V AC h9   code: AC250 ▶ 380~415V AC h6   code: AC415 ▶ 480~500V AC h7   code: AC500 ▶ 600~690V AC h5   code: AC690 		
Number of poles	4P (3P+PE)		
Lockable with a padlock	Yes		
Cable entry	wall socket: M25 cable gland (cable dia.: 12,5-17mm) + M25 plugged cable entry coupler socket: 8-19,5mm plug: 8-19,5mm		
Switch (socket)	Yes, ON/OFF switching by rotating the plug in the socket		


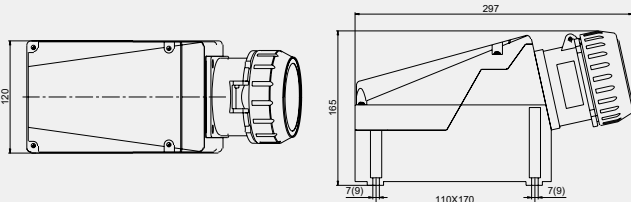
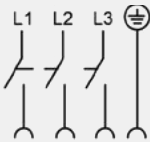
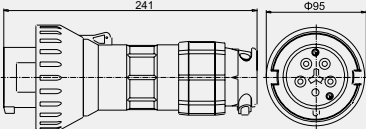
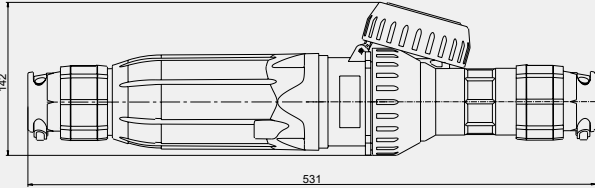







16A, 5P sockets and plugs

Photo	Schematic electrical	Dimensions	Order number
Current 16A, 5P			
			HSP1P 16 □ 5P W-SCT
	3P+N+PE 		HSP1P 16 □ 5P PLG
			HSP1P 16 □ 5P C-SCT
Parameters			
Designed for Ex zones	Gases: 1 and 2 Dust: 21 and 22		
ATEX marking	⊕ II 2 GD Ex db eb IIC T5 Gb ⊕ II 2 GD Ex tb IIIC T80°C Db		
Marking according to IECEx	Ex db eb IIC T5 Gb Ex tb IIIC T80°C Db		
Permissible ambient temperature	from -45°C to +60°C		
Degree of protection	IP66		
Rated current	16A		
Rated voltage	<ul style="list-style-type: none"> ▶ 200~250V AC h9   code: AC250 ▶ 380~415V AC h6   code: AC415 ▶ 480~500V AC h7   code: AC500 ▶ 600~690V AC h5   code: AC690 		
Number of poles	5P (3P+N+PE)		
Lockable with a padlock	Yes		
Cable entry	wall socket: M25 cable gland (cable dia.: 12,5-17mm) + M25 plugged cable entry coupler socket: 8-19,5mm plug: 8-19,5mm		
Switch (socket)	Yes, ON/OFF switching by rotating the plug in the socket		


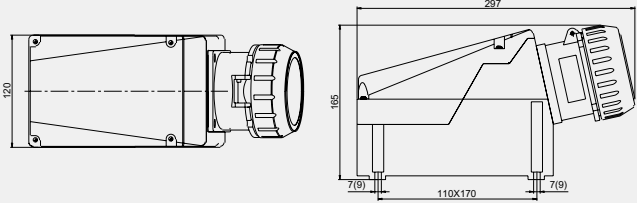
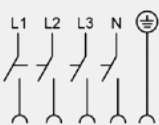
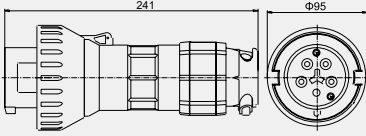

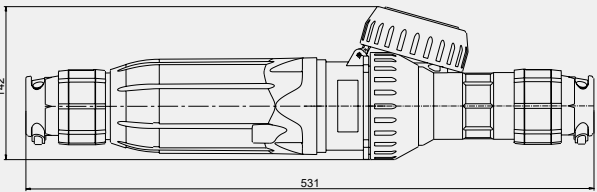








32A, 3P sockets and plugs

Photo	Schematic electrical	Dimensions	Order number
Current 32A, 3P			
			HSP1P 32 □ 3P W-SCT
	2P+PE 		HSP1P 32 □ 3P PLG
			HSP1P 32 □ 3P C-SCT
Parameters			
Designed for Ex zones	Gases: 1 and 2 Dust: 21 and 22		
ATEX marking	Ⓔ II 2 GD Ex db eb IIC T5 Gb Ⓔ II 2 GD Ex tb IIIC T80°C Db		
Marking according to IECEx	Ex db eb IIC T5 Gb Ex tb IIIC T80°C Db		
Permissible ambient temperature	from -45°C to +50°C		
Degree of protection	IP66		
Rated current	32A		
Rated voltage	<ul style="list-style-type: none"> ▶ 200~250V AC h6 code: AC250 ▶ 380~415V AC h9 code: AC415 ▶ 480~500V AC h7 code: AC500 		
Number of poles	4P (3P+PE)		
Lockable with a padlock	Yes		
Cable entry	wall socket: M40 cable gland (cable dia.: 17-28mm) + M40 plugged cable entry coupler socket: 11,5-27mm plug: 11,5-27mm		
Switch (socket)	Yes, ON/OFF switching by rotating the plug in the socket		


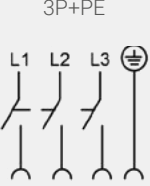
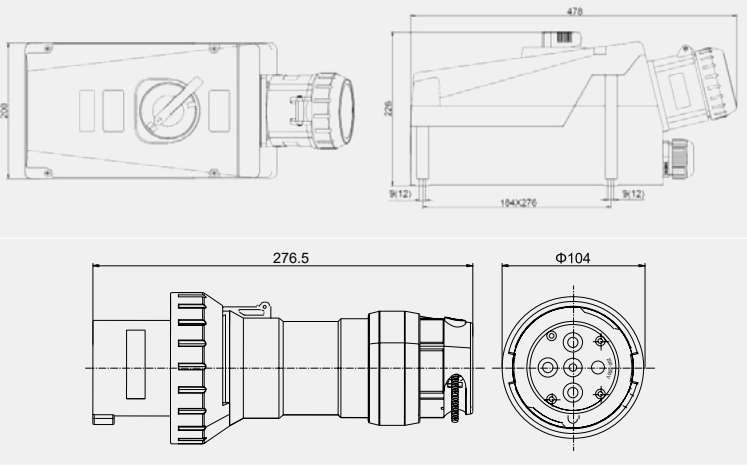








32A, 4P sockets and plugs

Photo	Schematic electrical	Dimensions	Order number
Current 32A, 4P			
			HSP1P 32 □ 4P W-SCT
	3P+PE 		HSP1P 32 □ 4P PLG
			HSP1P 32 □ 4P C-SCT
Parameters			
Designed for Ex zones	Gases: 1 and 2 Dust: 21 and 22		
ATEX marking	Ⓔ II 2 GD Ex db eb IIC T5 Gb Ⓔ II 2 GD Ex tb IIIC T80°C Db		
Marking according to IECEx	Ex db eb IIC T5 Gb Ex tb IIIC T80°C Db		
Permissible ambient temperature	from -45°C to +50°C		
Degree of protection	IP66		
Rated current	32A		
Rated voltage	<ul style="list-style-type: none"> ▶ 200~250V AC h9   code: AC250 ▶ 380~415V AC h6   code: AC415 ▶ 480~500V AC h7   code: AC500 ▶ 600~690V AC h5   code: AC690 		
Number of poles	4P (3P+PE)		
Lockable with a padlock	Yes		
Cable entry	wall socket: M40 cable gland (cable dia.: 17-28mm) + M40 plugged cable entry coupler socket: 11,5-27mm plug: 11,5-27mm		
Switch (socket)	Yes, ON/OFF switching by rotating the plug in the socket		


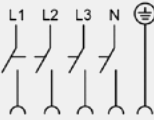
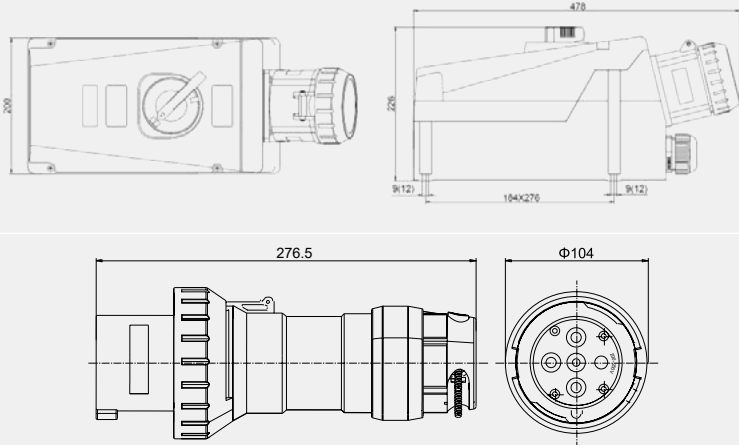








Sockets and plugs 32A, 5P

Photo	Schematic electrical	Dimensions	Order number
Current 32A, 5P			
			HSP1P 32 □ 5P W-SCT
	<p>3P+N+PE</p> 		HSP1P 32 □ 4P PLG
			HSP1P 32 □ 5P C-SCT
Parameters			
Designed for Ex zones	Gases: 1 and 2 Dust: 21 and 22		
ATEX marking	Ⓔ II 2 GD Ex db eb IIC T5 Gb Ⓔ II 2 GD Ex tb IIIC T80°C Db		
Marking according to IECEx	Ex db eb IIC T5 Gb Ex tb IIIC T80°C Db		
Permissible ambient temperature	from -45°C to +50°C		
Degree of protection	IP66		
Rated current	32A		
Rated voltage	<ul style="list-style-type: none"> ▶ 200~250V AC h9   code: AC250 ▶ 380~415V AC h6   code: AC415 ▶ 480~500V AC h7   code: AC500 ▶ 600~690V AC h5   code: AC690 		
Number of poles	5P (3P+N+PE)		
Lockable with a padlock	Yes		
Cable entry	wall socket: M40 cable gland (cable dia.: 17-28mm) + M40 plugged cable entry coupler socket: 11,5-27mm plug: 11,5-27mm		
Switch (socket)	Yes, ON/OFF switching by rotating the plug in the socket		


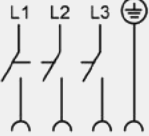
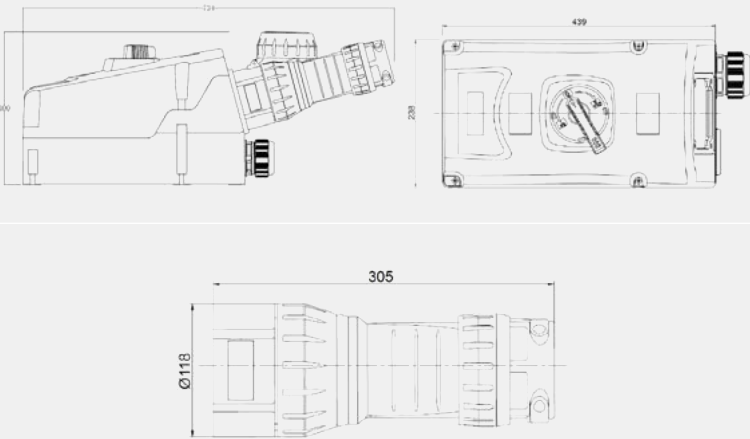








Sockets and plugs 63A, 4P

Photo	Schematic electrical	Dimensions	Order number
Current 63A, 4P			
	<p>3P+PE</p> 		<p>HSP1P 63 □ 4P W-SCT</p> <p>HSP1P 63 □ 4P PLG</p>
Parameters			
Designed for Ex zones	Gases: 1 and 2 Dust: 21 and 22		
ATEX marking	⊕ II 2 GD Ex db eb IIC T4 Gb ⊕ II 2 GD Ex tb IIIC T80°C Db		
Marking according to IECEx	Ex db eb IIC T4 Gb Ex tb IIIC T80°C Db		
Permissible ambient temperature	from -45°C to +50°C		
Degree of protection	IP66		
Rated current	63A		
Rated voltage	<ul style="list-style-type: none"> ▶ 200~250V AC h9   code: AC250 ▶ 380~415V AC h6   code: AC415 ▶ 480~500V AC h7   code: AC500 ▶ 600~690V AC h5   code: AC690 		
Number of poles	4P (3P+PE)		
Lockable with a padlock	Yes		
Cable entry	wall socket: M50 cable gland (cable dia.: 23-35mm) + M50 plugged cable entry plug: 19-28mm		
Switch (socket)	YES, switching ON/OFF by rotary switch integrated into the socket cover		



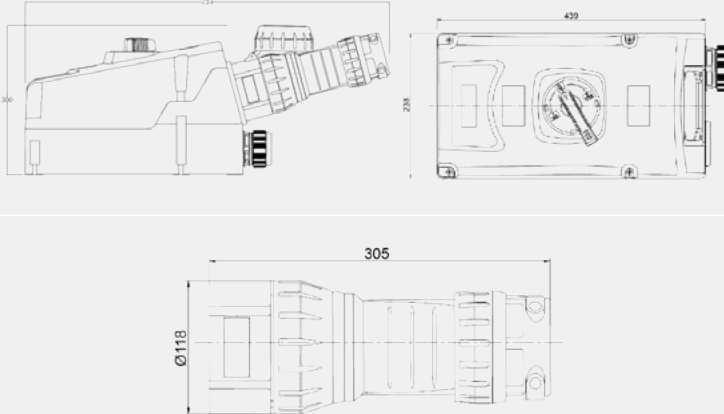








Sockets and plugs 63A, 5P

Photo	Schematic electrical	Dimensions	Order number
Current 63A, 5P			
	<p>3P+N+PE</p> 		<p>HSP1P 63 □ 5P W-SCT</p> <p>HSP1P 63 □ 5P PLG</p>
Parameters			
Designed for Ex zones	Gases: 1 and 2 Dust: 21 and 22		
ATEX marking	Ⓔ II 2 GD Ex db eb IIC T4 Gb Ⓔ II 2 GD Ex tb IIIC T80°C Db		
Marking according to IECEx	Ex db eb IIC T4/T5 Gb Ex tb IIIC T80°C Db		
Permissible ambient temperature	from -45°C to +50°C		
Degree of protection	IP66		
Rated current	63A		
Rated voltage	<ul style="list-style-type: none"> ▶ 200~250V AC h9   code: AC250 ▶ 380~415V AC h6   code: AC415 ▶ 480~500V AC h7   code: AC500 ▶ 600~690V AC h5   code: AC690 		
Number of poles	5P (3P+N+PE)		
Lockable with a padlock	Yes		
Cable entry	wall socket: M50 cable gland (cable dia.: 23-35mm) + M50 plugged cable entry plug: 19-28mm		
Switch (socket)	YES, switching ON/OFF by rotary switch integrated into the socket cover		


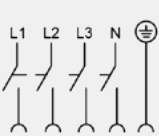
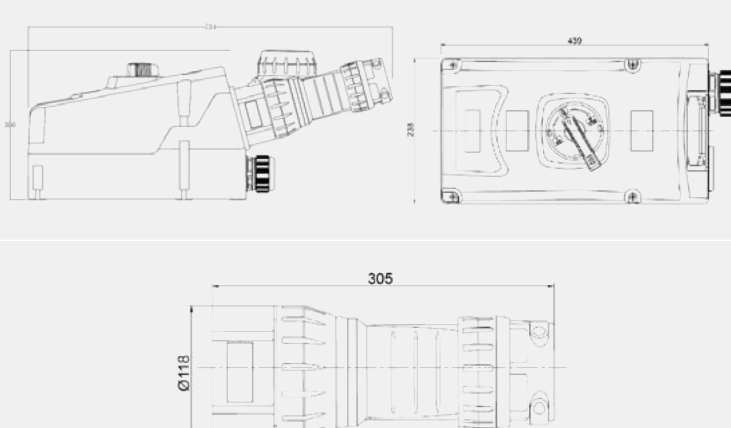








Sockets and plugs 125A, 4P

Photo	Schematic electrical	Dimensions	Order number
Current 125A, 4P			
	<p>3P+PE</p> 		<p>HSP1P 125 □ 4P W-SCT</p> <p>HSP1P 125 □ 4P PLG</p>
Parameters			
Designed for Ex zones	Gases: 1 and 2 Dust: 21 and 22		
ATEX marking	Ⓔ II 2 GD Ex db eb IIC T4 Gb Ⓔ II 2 GD Ex tb IIIC T80°C Db		
Marking according to IECEx	Ex db eb IIC T4 Gb Ex tb IIIC T80°C Db		
Permissible ambient temperature	from -45°C to +40°C		
Degree of protection	IP66		
Rated current	125A		
Rated voltage	<ul style="list-style-type: none"> ▶ 200~250V AC h9   code: AC250 ▶ 380~415V AC h6   code: AC415 ▶ 480~500V AC h7   code: AC500 ▶ 600~690V AC h5   code: AC690 		
Number of poles	4P (3P+PE)		
Lockable with a padlock	Yes		
Cable entry	wall socket: M63 cable gland (cable dia.: 34-46mm) + M63 plugged cable entry plug: 19-46mm		
Switch (socket)	YES, switching ON/OFF by rotary switch integrated into the socket cover		


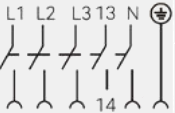
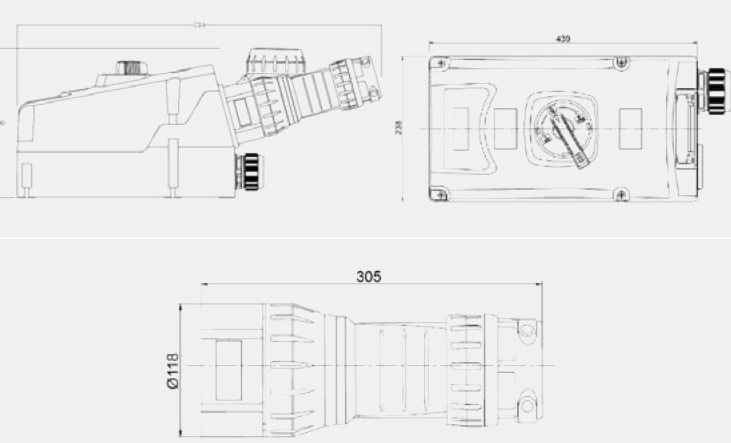








Sockets and plugs 125A, 4P + aux. contact

Photo	Schematic electrical	Dimensions	Order number
Current 125A, 4P + aux. contact			
	<p>3P+NO+PE</p> 		<p>HSP1P 125 □ 4P W-SCT OC</p> <p>HSP1P 125 □ 4P PLG OC</p>
Parameters			
Designed for Ex zones	Gases: 1 and 2 Dust: 21 and 22		
ATEX marking	Ⓔ II 2 GD Ex db eb IIC T4 Gb Ⓔ II 2 GD Ex tb IIIC T80°C Db		
Marking according to IECEx	Ex db eb IIC T4 Gb Ex tb IIIC T80°C Db		
Permissible ambient temperature	from -45°C to +40°C		
Degree of protection	IP66		
Rated current	125A		
Rated voltage	<ul style="list-style-type: none"> ▶ 200~250V AC h9   code: AC250 ▶ 380~415V AC h6   code: AC415 ▶ 480~500V AC h7   code: AC500 ▶ 600~690V AC h5   code: AC690 		
Number of poles	5P (3P+N+PE+NO)		
Lockable with a padlock	Yes		
Cable entry	wall socket: M63 cable gland (cable dia.: 34-46mm) + M63 plugged cable entry plug: 19-46mm		
Switch (socket)	YES, switching ON/OFF by rotary switch integrated into the socket cover		

Sockets and plugs 125A, 5P

Photo	Schematic electrical	Dimensions	Order number
Current 125A, 5P			
	<p>3P+N+PE</p> 		<p>HSP1P 125 □ 5P W-SCT</p> <p>HSP1P 125 □ 5P PLG</p>
Parameters			
Designed for Ex zones	Gases: 1 and 2 Dust: 21 and 22		
ATEX marking	⊕ II 2 GD Ex db eb IIC T4 Gb ⊕ II 2 GD Ex tb IIIC T80°C Db		
Marking according to IECEx	Ex db eb IIC T4 Gb Ex tb IIIC T80°C Db		
Permissible ambient temperature	from -45°C to +40°C		
Degree of protection	IP66		
Rated current	63A		
Rated voltage	<ul style="list-style-type: none"> ▶ 200~250V AC h9   code: AC250 ▶ 380~415V AC h6   code: AC415 ▶ 480~500V AC h7   code: AC500 ▶ 600~690V AC h5   code: AC690 		
Number of poles	5P (3P+N+PE)		
Lockable with a padlock	Yes		
Cable entry	wall socket: M63 cable gland (cable dia.: 34-46mm) + M63 plugged cable entry plug: 19-46mm		
Switch (socket)	YES, switching ON/OFF by rotary switch integrated into the socket cover		

Sockets and plugs 125A, 5P + aux. contact

Photo	Schematic electrical	Dimensions	Order number
Current 125A, 5P + aux. contact			
	<p>3P+NO+N+PE</p> 		<p>HSP1P 125 □ 5P W-SCT OC</p> <p>HSP1P 125 □ 5P PLG OC</p>
Parameters			
Designed for Ex zones	Gases: 1 and 2 Dust: 21 and 22		
ATEX marking	Ⓔ II 2 GD Ex db eb IIC T4 Gb Ⓔ II 2 GD Ex tb IIIC T80°C Db		
Marking according to IECEx	Ex db eb IIC T4 Gb Ex tb IIIC T80°C Db		
Permissible ambient temperature	from -45°C to +40°C		
Degree of protection	IP66		
Rated current	125A		
Rated voltage	<ul style="list-style-type: none"> ▶ 200~250V AC h9   code: AC250 ▶ 380~415V AC h6   code: AC415 ▶ 480~500V AC h7   code: AC500 ▶ 600~690V AC h5   code: AC690 		
Number of poles	5P (3P+N+PE+NO)		
Lockable with a padlock	Yes		
Cable entry	wall socket: M63 cable gland (cable dia.: 34-46mm) + M63 plugged cable entry plug: 19-46mm		
Switch (socket)	YES, switching ON/OFF by rotary switch integrated into the socket cover		